

Active deterrence series PTZ camera ceiling mount

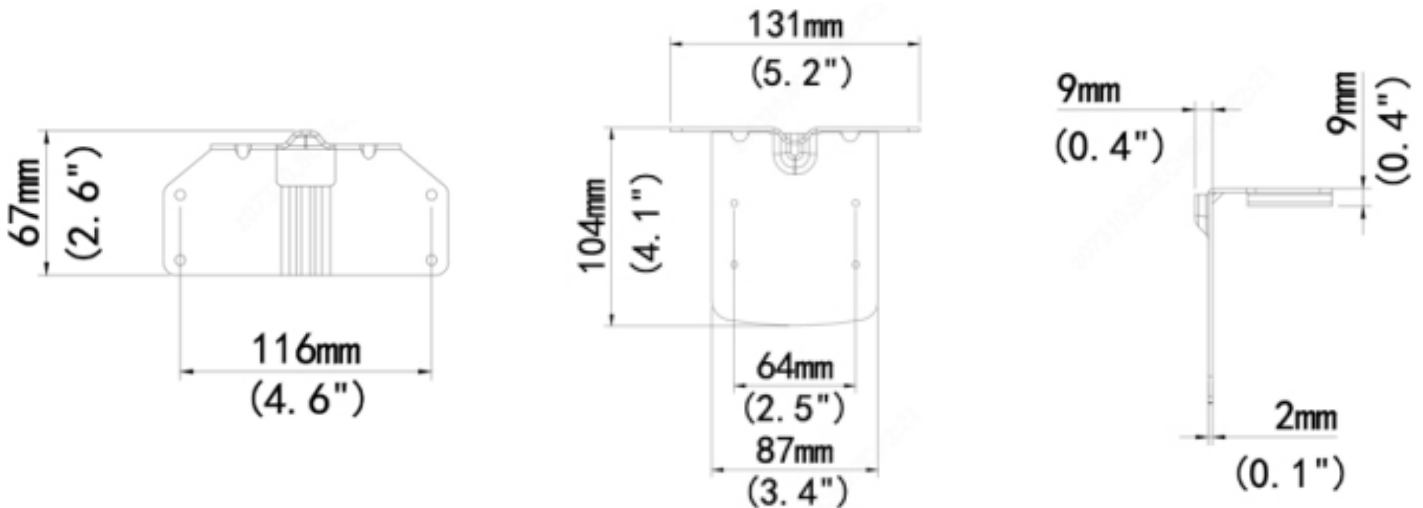
Bracket	
Dimensions	104 x 131 x 67mm
Weight	0.88kg
Material	Aluminum alloy



Used for:
INLGDO5ADPTZ



XLGCM06-D
Active deterrence series PTZ camera ceiling mount



*Design and specifications are subjects to change without notice.